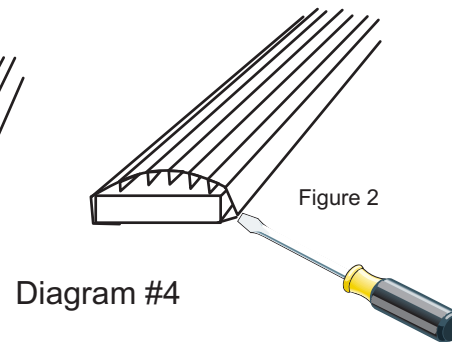
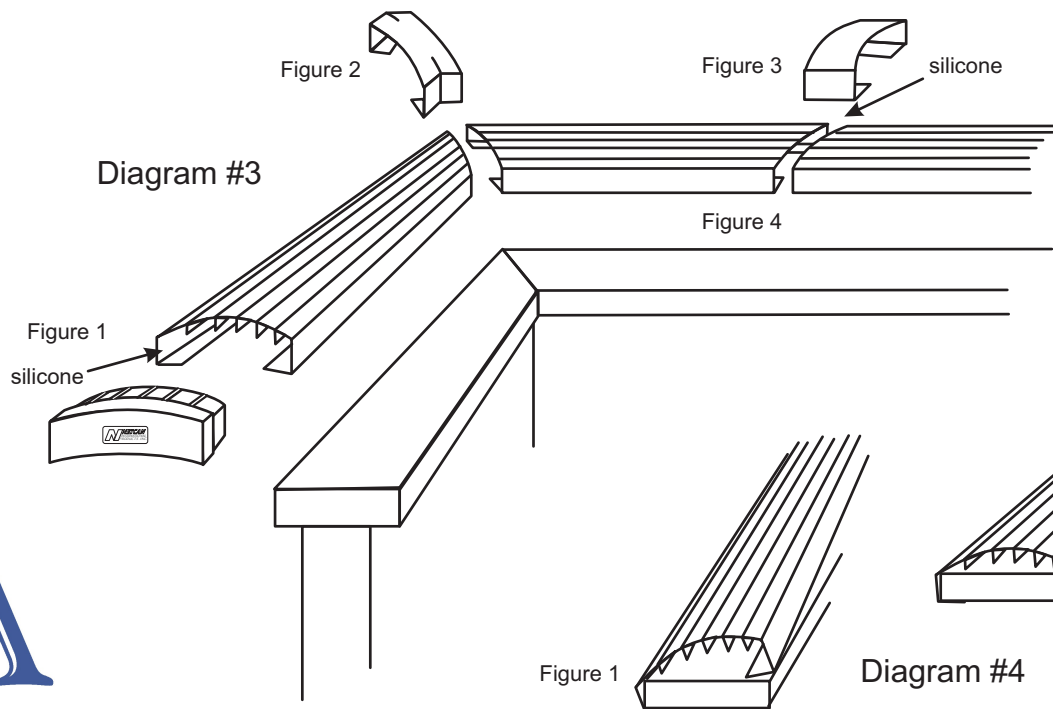
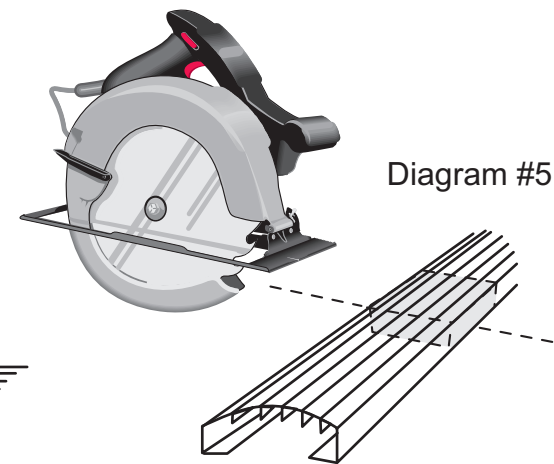
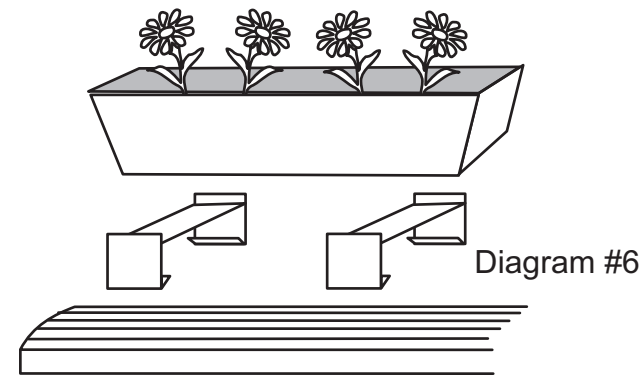
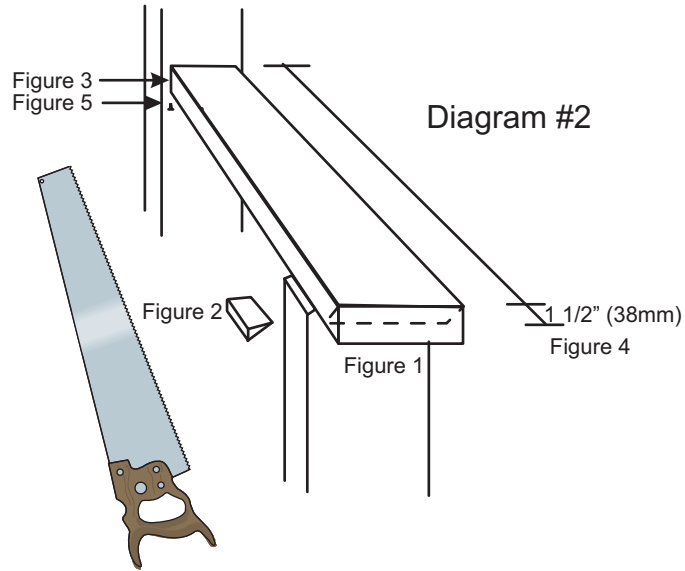
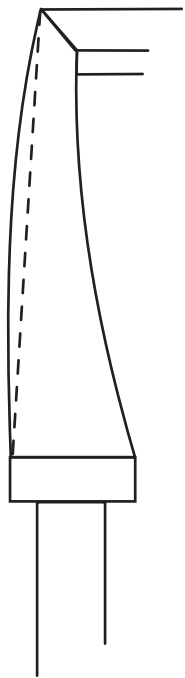


Diagram #1



VINYL HANDRAIL COVER Installation Instructions & Assembly

A) Preparation

Check top rails for dry rot, secure nailing and straightness.

* **Dry Rot:** when badly rotted railing exists, Unsafe conditions will not be corrected by VINYL HANDRAIL COVER. Replace rotted Section first.

* **Secure Nailing:** check to see that all nails are set and solid.

* **Straightness:** snap a chalk line, mark end to end and check for unevenness. If over 1/2" out of line, cut of excess (see diagram 1)

B) Cutting

To get a smooth cut and keep the Vinyl Handrail Cover from vibrating and cracking, insert a small piece of lumber (2x4 or 2x6) right next to your cut-off mark (see diagram 5).

C) Installation of Handrail Cover

Slip outside cover over wood railing (see dia.4, figure 1) Pull inside edge over wood railing. You may use a zip tool, screwdriver or other suitable tool to make this process easier (see dia.4, figure 2) **Caution:** safety glasses and gloves are recommended when fitting Vinyl Handrail Cover.

D) Installation of Corner Cap

Cut 45 degree angles on 2x4 or 2x6 VHC and install, leaving a minimum of 1/4" (6mm) from outside corner for expansion (see dia.3, figure 2) To install Corner Cap, clip the inside part of the Corner Cap on the handrail first, as tightly as possible, then pull and stretch the corner cap over the handrail, using downward pressure until the Corner Cap snaps into place. Using a hair dryer to heat up the corner cap will make the application easier to install.

E) Expansion

When joining two lengths, allow minimum 1/2" (12mm) for expansion. Shorter lengths will expand less, always allow not less than 1/4" on a hot day, when expansion is at the max. Cover joint with a Sleeve, see H.

F) Installation of Handrail Cover at Stairs.

Prepare 2x4 or 2x6 stair railing before installation. Trim ends of stair railing if angle cut exists at the base, to ensure a secure fit for End Cap application (see diagram 2, figure 1) If upright support is the same width as the top rail, trim vertical support by cutting out a wedge to accommodate the bottom return of Vinyl Handrail Cover (see dia.2, figure 2).

Measure the total length of the stair rail from top to bottom and add 1 1/2" (38mm) to allow End Cap application and angle on top (see dia.2, figure 4). Also, check degree required at the top (see dia.2, figure 3). 38 degrees is most common.

When installing the VINYL HANDRAIL COVER to a stair railing, it is advised to use one screw (#8 x 3/4" round head, stainless steel wood screw) through the bottom return of the VINYL HANDRAIL COVER near the top of the stair rail. This will force expansion downwards and prevent the cover from sliding down (see dia.2, figure 5). Important note: never screw more than one location per length to allow for proper expansion.

G. Odd Mitred Corners

Cur required angle of the VINYL HANDRAIL COVER and install, butting both sides tightly together. Do not leave room for expansion and use 4 screws on the bottom returns to hold the corner joint in place. Place masking tape 1/2" on either side of the joint and apply an exterior grade caulking, after dry, carefully remove the

masking tape for a clean finish.

Note: only when following instructions F and G are screws needed. The VINYL HANDRAIL COVER system is designed with a friction fit over wood railing, where no fasteners are required.

H. Installation of End Caps and Expansion Sleeves

Insert **END CAP** into railing, making sure of a proper fit before gluing. Apply silicone to the inside of the VINYL HANDRAIL COVER between the ribs. Using tape to temporarily hold **END CAP** in place while the silicone sets and will ensure a good job (see diagram 3, figure 1).

EXPANSION SLEEVE is required when joining two pieces of VINYL HANDRAIL COVER. Apply a bead of silicone on either side of the open joint of the handrail cover.

The silicone will act as a water gasket but will not restrict expansion and contraction. Install the SLEEVE while the silicone is wet, PVC Vinyl Handrail Cover will not adhere to the silicone.

I. Installation of Plant Sleeve

2x6 **PLANTER SLEEVES** are designed to provide a level surface on which to place rectangular planter boxes and can be clipped on anywhere. Two are needed per planter box (see Diagram 6).

Vinyl Handrail Cover Tool List

- 1) Electric mitre saw/radial arm saw with fine tooth blade, circular saw with guide or fine tooth handsaw with mitre box.
- 2) Measuring Tape
- 3) Hammer
- 4) Screw Driver
- 5) Pair of side snips
- 6) Exterior Grade Caulking (ex. Clear Ext Silicone)

